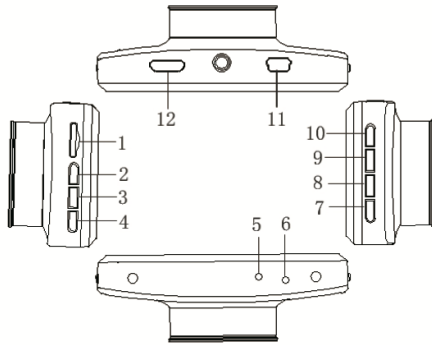


USER MANUAL

Product Introduction

- Product structure



- | | | |
|------------|---------|--------------|
| 1: TF Slot | 2: UP | 3: MENU |
| 4: DOWN | 5: MIC | 6: Reset |
| 7: Power | 8: Hold | 9: Mode |
| 10: OK | 11: USB | 12: HDMI-OUT |

Description of Function Keys

- TF Slot
TF Memory card slot
- 2, UP
Standby or short video process click here the key to digital narrow regulation; Down regulate the function key menu options;
- 3, Menu button
Short press to bring up the feature set menu
- 4, DOWN
Standby or short video process click here button can digital zoom adjust; Down to select the function key menu options

- 5, MIC
MIC-IN
 - 6, Reset
Select to reset
 - 7, Power
Long press to turn the device on/off. Short press to turn on/off the night vision led lights
 - 8, HOLD button
Press this button, the recording process, the current video file is saved as can not be deleted;
 - 9, Mode
Short press to switch between each other in the camera/ camera/ playback
 - 10, OK
Video and take pictures to confirm button, the camera mode, short press this key to start recording again press stop recording; in camera mode short press to take pictures
 - 11, USB
USD data interface, (1) for connecting a PC to transfer data; (2) for connecting an external power supply to charge the battery or supplies power to operate;
 - 12, Bracket Mounting Hole
Connect the car bracket mounting screw holes;
- Special function description:
- G-sensor
When gravity acceleration up to ?g the machine will automatically save the current video of the accident, not delete the file;
 - SOS
Press this button, the current video file is saved as can not be deleted;

- Automatically turn on/off
When connected with car charger, device will turn on when car start, turn off and save the last video when car power off
- REC/photo operation specifications
- Power on/off
Press the power button first boot, the blue indicator light lights up at boot time, again press the power button to turned off, the blue light goes out
Note: The recording instrument will be prompted to low battery voltage automatic shutdown when battery is low
 - REC mode
Short press M key, switch to camera mode, the upper left corner of the screen displays a camera icon; Short press OK button to starts the camera, camera icon will appear flashing red dot, indicating the video is started
 - Photo mode
Short press M key, switch to camera mode, the upper left corner of the screen displays the camera icon. Short press OK key camera, take pictures of the screen flashes once said camera to complete.
 - Video/ photo playback
Short press M key, switch to playback mode, the upper left corner of the screen to display the playback icon; Short press UP key to select the file; Short press down key to select the file; Short press OK button to play the selected video files;
 - Menu settings
Short press menu key to enter the video settings state, then the video icon field is a yellow background; Again press menu button switch to setting mode, the settings icon field a yellow background; Short press M key, key to exit the setting. Bring up the settings, short press up/down key, you can set the sub key up and down select switch, short press OK key to enter set sub key. Short press M to quit menu setting.

- Time setting
Short press menu key to enter the set state, short press here menu key to set up menu, though up button to select the date and time options, short press OK key enter, short press menu key in Year/Month/Day/minutes/second between each other to switch though up and down adjust required value, press OK to confirm the modification

USB mode

Connect DVR with computer by USB cable, press power on button, car DVR will automatically show USB menu, there are 1 modes available.

USB-Disk: in this mode we can access video files and photo files

Battery indication image:



- There are three methods to charge, the red indicator light up when charging, the entire charging time is about 180 minutes, and the red indicator light automatically off when charging completed.
 - Use power adapter to charge
 - Use PC-USB to charge
 - Use vehicle power to charge
- Remark: when appear crash because of improper, remove battery or press reset button to restart.

Product specifications

Featues	HD camera, HD video
Program	NT96220
G-sensor	Built-in (car accident case of emergency save, will not be deleted)
LDC screen size	3.0LTIPS (16:9)
Lens	120 degree A + grade high resolution ultra wide angle lens
Language	Russian, Japanese, Englis, Chinese (simplified), Chinese (traditional) Korean, etc..
Files format	AVI
Camera	3 Mega Pixels
Recording video	M-JPEG
Color	standard
Continuous loop video	seamless loop recording, don't leak second
Automatically power on/off	Support auto ignition boot, turn off shutdown
Motion detection function	Support
Time synchronization	Support (Y/M/D/H/M)
Carrier media	Built-in memory (total: 1024 MB)
Photo mode	5 milliopn
Photo format	JPEG
Memory card	TF (max 32GB)
MIC	support
Built-in stereo	support
Infrared night vision	support
Video format	PAL/NTSC
Current frequency	50HZ/60HZ

USB function	1: USB-Disk 2: PC-Camera
Power interface	5V 1A
Battery	Built-in 200mAh

Trouble shooting:

For problems in normal operating situation, please try these methods below:

- Can't take photo and recording
Check the TF card has enough space or locked
- Automatically stop when recording
Use the compatible high speed TF card with SDHC because of big HD video data the high speed TF card have identifying of C4 and C6
- Appear "files error" when replay photo or video
Uncompleted files because of TF card storage error, please use formatting function to format your TF card
- Unclear video
Checks if there are any dirt or fingerprint; and use lens paper to clear the camera len.
- Black image when recording sky or water scene
Scenes with big contrast will influence the automatic exposure function of camera; you can adjust "EV in setting mode to correct.

- Color is not perfect in cloudy day and outdoor light

Set the "white balance" function to automatic

- Cross stripe interference in image

Because of wrong "light frequency", please set it to 50Hz or 60Hz according to the local power supply frequency

- Crash

Restart by pressing shortly on "Reset" button after crash